

## STAINLESS STEEL BUCKLES/CLIPS

### JAW & WING TYPE

#### KEY FEATURES

- Jaw type buckles for high tensile applications
- Wing type buckles for medium tensile applications
- Available in widths:  
6.5 mm (1/4"), 9.5 mm (3/8"),  
12.7 mm (1/2"), 16 mm (5/8")  
and 19 mm (3/4")
- Available in material:  
SS201/304/316

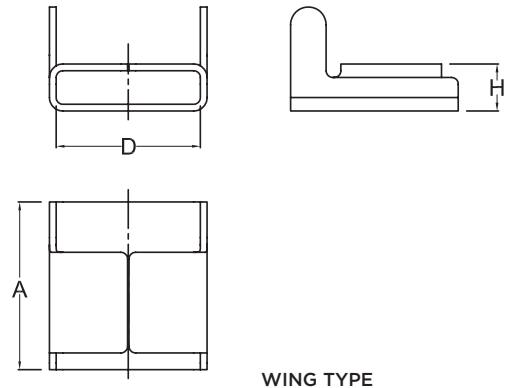
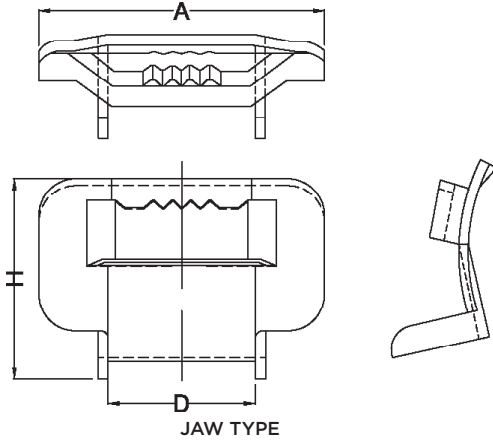
TE Connectivity's (TE), stainless steel buckles/clips form an integral part of the banding solution. Buckles are precision stamped components which sustain the clamping force of the clamping tool and forms a secure joint over the pipe/pole/cable when used in conjunction with bands.

SS buckles are designed with a wide range of widths (1/4" 1-1/4") and are suitable to accommodate corresponding bands. Made from high-grade stainless steel like AISI SS 201/SS 316/SS 304, buckles provide superior performance in high tensile / corrosive and hazardous atmospheres. Buckles are available in two constructions (jaw/wing type), jaw type being the industry preference for all applications.

Buckles are provided with round edges for safety of handling.

**Customers can count on consistent, high quality products, driven by TE's proven innovation and backed by our extraordinary customer support.**

# Stainless Steel Buckles/Clips Jaw & Wing Type



## HOW TO ORDER

Variant	Code
Clip Uncoated	TCU

Material	Code
SS 201	B
SS 316	E
SS 304	F

Width of Bands mm (in)	Code
6.5 (1/4)	6
9.5 (3/8)	9
12.7 (1/2)	12
16 (5/8)	16
19 (3/4)	19
32 (1 1/4)	32

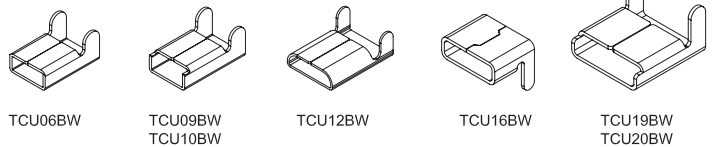
Type	Code
Jaw	J
Wing	W

JAW TYPE BUCKLES						
TE Product Code			Width	A	H	D
SS 201	SS 316	SS 304	mm (in)	mm (in)	mm (in)	mm (in)
TCU06BJ	TCU06EJ	TCU06FJ	6.5 (1/4)	18.5 (0.73)	12.2 (0.48)	7.6 (0.30)
TCU09BJ	TCU09EJ	TCU09FJ	9.5 (3/8)	24.3 (0.96)	18.0 (0.71)	10.4 (0.41)
TCU10BJ	TCU10EJ	TCU10FJ	10.2 (2/5)	24.3 (0.96)	18.0 (0.71)	10.4 (0.41)
TCU12BJ	TCU12EJ	TCU12FJ	12.7 (1/2)	31.8 (1.25)	24.4 (0.96)	13.4 (0.53)
TCU16BJ	TCU16EJ	TCU16FJ	16.0 (5/8)	38.1 (1.5)	28.4 (1.12)	1.0 (0.67)
TCU19BJ	TCU19EJ	TCU19FJ	19.0 (3/4)	41.4 (1.63)	25.4 (1.00)	20.1 (0.79)
TCU20BJ	TCU20EJ	TCU20FJ	20.3 (4/5)	41.4 (1.63)	25.4 (1.00)	20.1 (0.79)

WING TYPE BUCKLES						
TE Product Code			Width	A	H	D
SS 201	SS 316	SS 304	mm (in)	mm (in)	mm (in)	mm (in)
TCU06BW	TCU06EW	TCU06FW	6.5 (1/4)	11.0 (0.43)	5.1 (0.20)	7.5 (0.30)
TCU09BW	TCU09EW	TCU09FW	9.5 (3/8)	22.0 (0.87)	6.2 (0.24)	11.2 (0.44)
TCU10BW	TCU10EW	TCU10FW	10.16 (2/5)	22.0 (0.87)	6.2 (0.24)	11.2 (0.44)
TCU12BW	TCU12EW	TCU12FW	12.7 (1/2)	22.0 (0.87)	5.1 (0.20)	15.0 (0.59)
TCU16BW	TCU16EW	TCU16FW	16.0 (5/8)	14.3 (0.56)	6.8 (0.27)	17.3 (0.68)
TCU19BW	TCU19EW	TCU19FW	19.0 (3/4)	25.4 (1.00)	7.0 (0.28)	21.5 (0.85)
TCU20BW	TCU20EW	TCU20FW	20.32 (4/5)	25.4 (1.00)	7.0 (0.28)	21.5 (0.85)

GIANT BUCKLES						
TE Product Code			Width	A	H	D
SS201	SS316	SS304	mm (in)	mm (in)	mm (in)	mm (in)
TCU19BJ	TCU19EJ	TCU19FJ	19.0 (3/4)	41.4 (1.63)	25.4 (1.00)	20.1 (0.79)
TCU25BJ	TCU25EJ	TCU25FJ	25.4 (1.00)	57.9 (2.28)	36.1 (1.42)	26.4 (1.04)
TCU32BJ	TCU32EJ	TCU32FJ	32.0 (1 1/4)	70.6 (2.78)	41.9 (1.65)	33.3 (1.31)

### Wing Type Buckles



Package Quantity : 100 Per Box

[te.com/energy](http://te.com/energy)

© 2018 TE Connectivity. All Rights Reserved. EPP-3211-DDS-10/18-AMS-Steel-Buckle-Clip-TE

TE Connectivity and TE connectivity (logo) are trademarks. Other logos, product and/or company names might be trademarks of their respective owners. While TE has made every reasonable effort to ensure the accuracy of the information in this brochure, TE does not guarantee that it is error-free, nor does TE make any other representation, warranty or guarantee that the information is accurate, correct, reliable or current. TE reserves the right to make any adjustments to the information contained herein at any time without notice. TE expressly disclaims all implied warranties regarding the information contained herein, including, but not limited to, any implied warranties of merchantability or fitness for a particular purpose. The dimensions in this catalog are for reference purposes only and are subject to change without notice. Specifications are subject to change without notice. Consult TE for the latest dimensions and design specifications.

### FOR MORE INFORMATION: TE Technical Support Centers

USA:	+ 1 800 327 6996
Canada:	+ 1 (905) 475-6222
Mexico:	+ 52 (0) 55-1106-0800
Latin/S. America:	+ 54 (0) 11-4733-2200
France:	+ 33 380 583 200
UK:	+ 44 0870 870 7500
Germany:	+ 49 896 089 903
Spain:	+ 34 916 630 400
Italy:	+ 39 333 250 0915
Benelux:	+ 32 16 508 695
Russia:	+ 7 495-790 790 2-200
China:	+ 86 (0) 400-820-6015